

DM ELPOT 1-10

Electronic potentiometer 1-10V

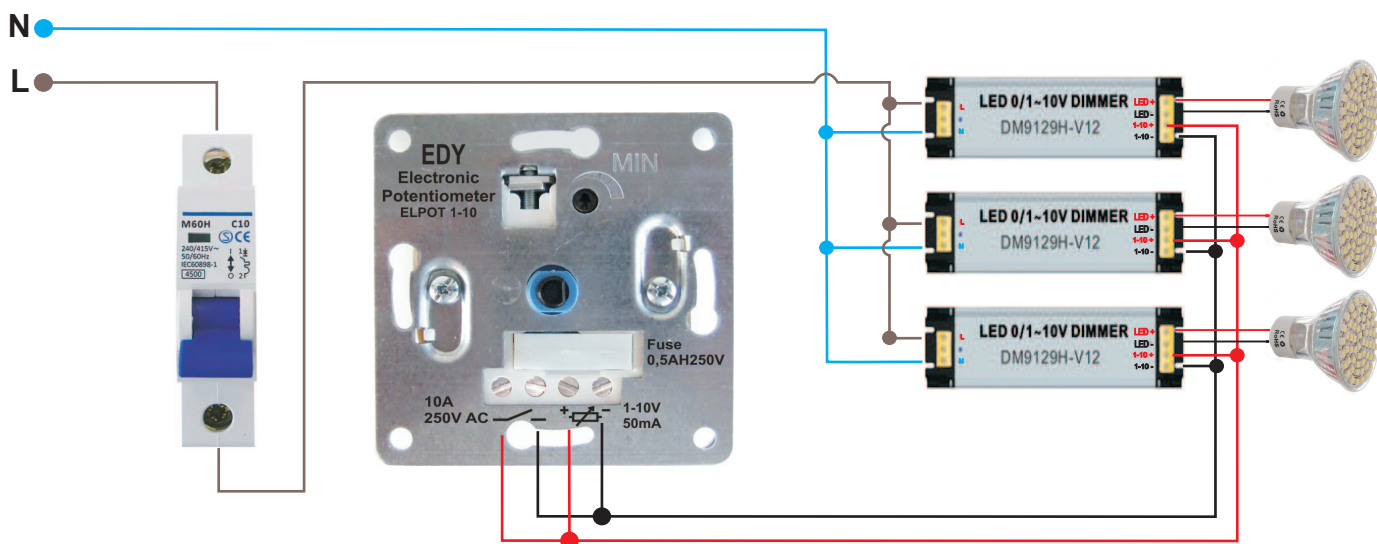
Electronic rotary potentiometer up to 50mA, with ON/OFF push switch, for lighting control devices. It is used for switching and dimming fluorescent lamps, with controllable electronic ballast or electronic transformers with an 1–10V interface.

It is useful in any case that we have to adjust at the same time several lighting control devices, such as restaurants, meeting rooms etc.

It has a rotary potentiometer with ON/OFF push switch.
 By turning the rotary potentiometer, we adjust the brightness of the lamps.
 By pressing it we switch the connected lamps on and off.
 It also has a trimmer for adjusting the minimum brightness.

We can connect and control up to 50 dimmable electronic devices with an 1–10V interface.

Electronic potentiometer Wiring Diagram



Technical specifications

Push switch	6A max.
Maximum current	50mA
Protection from short circuit / overload	Glass Fuse Tube 5x20mm 500mA/250V
Operating temperature	-10 °C to +60 °C
Maximum humidity	95 %
Constraction material	ABS
Dimention	80mm x 80mm x 50mm



The company reserves the right to change the features for the purpose of improving the product.

Made in **Greece**